

Level Control Valve FL x FL Ends and GR x GR Ends

FIG. 6101
FIG. 6901

Features

Line pressure driven – Independent operation
Modulating hydraulic float control

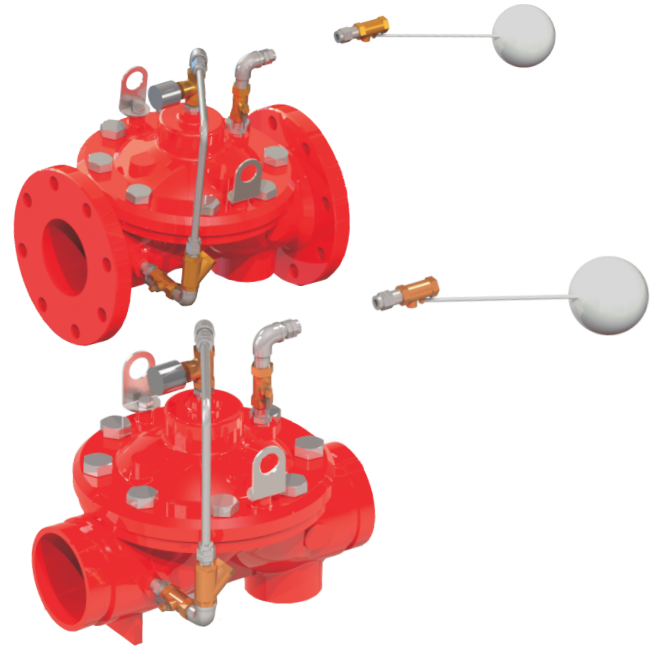
- Unobstructed flow path
- Single moving part
- Super design featuring exceptionally low pressure losses at high flow rates
- Fusion bonded epoxy coated interior and exterior

External installation

- Easy access
- Less wear and tear

In-line serviceable

- Low maintenance cost
- Flexible design - Easy addition of features
- The operation time can be adjusted



Technical Parameters

Structure Form	Diaphragm
Multiple End Types	Fig. 6101: Flange by Flange Fig. 6901: Groove by Groove
Size	DN50 - DN300
Working Pressure	Max: 16 bar

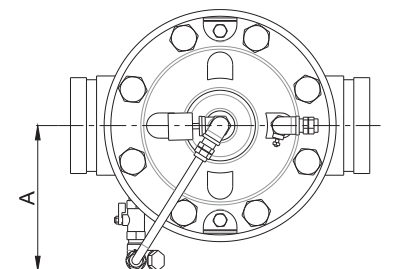
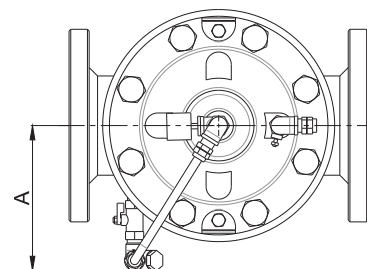
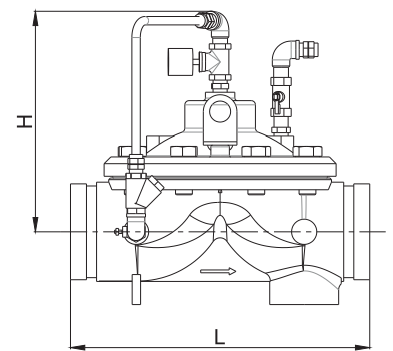
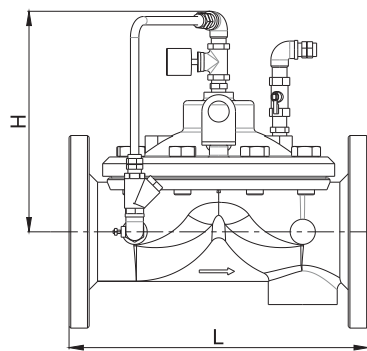
Part Name	Material
Body	Ductile Iron
Cover	Ductile Iron
Diaphragm	Rubber
Trim	SS304, SS316 and Brass optional

Main Dimensions (mm)

Size	L	H	A
DN50	233	200	185
DN65	290	220	200
DN80	310	270	220
DN100	356	270	230
DN125	370	270	250
DN150	436	290	265
DN200	530	370	310
DN250	636	380	350
DN300	835	430	430

Fig. 6101
Flanged Ends

Fig. 6901
Grooved Ends



Notes

• Designs, materials and specifications shown are subject to change without notice due to the continuous development of our products.